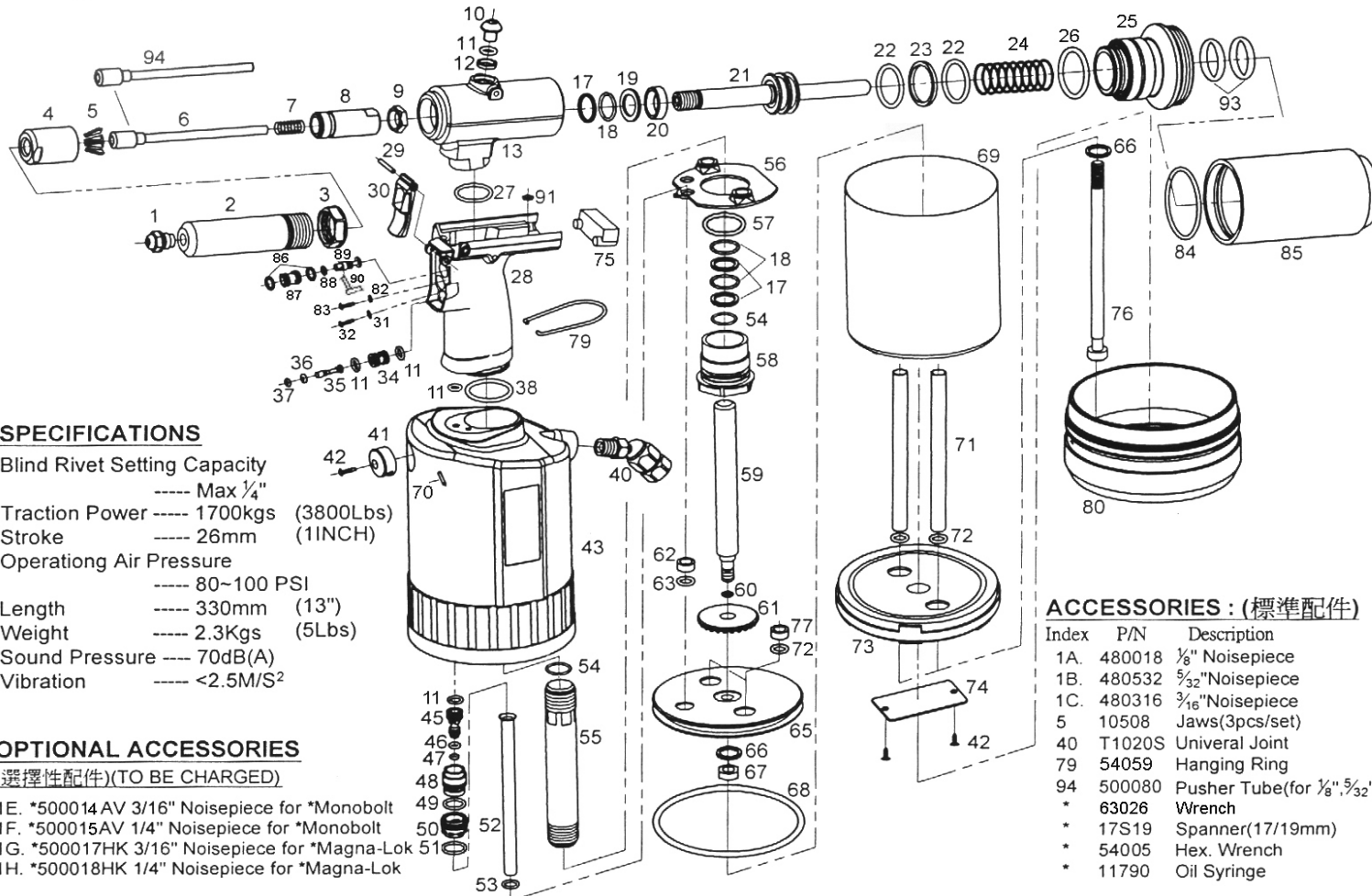


SL-3

1/4" "SUPER LIGHT" HEAVY DUTY RIVETER



THE FUSION OF PRODUCTION AND TECHNOLOGY™



SPECIFICATIONS

Blind Rivet Setting Capacity
 ----- Max 1/4"
 Traction Power ----- 1700kgs (3800Lbs)
 Stroke ----- 26mm (1INCH)
 Operating Air Pressure
 ----- 80~100 PSI
 Length ----- 330mm (13")
 Weight ----- 2.3Kgs (5Lbs)
 Sound Pressure ----- 70dB(A)
 Vibration ----- <2.5M/S²

OPTIONAL ACCESSORIES

(選擇性配件)(TO BE CHARGED)

- 1E. *500014 AV 3/16" Noisepiece for *Monobolt
- 1F. *500015 AV 1/4" Noisepiece for *Monobolt
- 1G. *500017HK 3/16" Noisepiece for *Magna-Lok
- 1H. *500018HK 1/4" Noisepiece for *Magna-Lok

ACCESSORIES : (標準配件)

Index	P/N	Description
1A.	480018	1/8" Noisepiece
1B.	480532	5/32" Noisepiece
1C.	480316	3/16" Noisepiece
5	10508	Jaws(3pcs/set)
40	T1020S	Universal Joint
79	54059	Hanging Ring
94	500080	Pusher Tube(for 1/8", 5/32")
*	63026	Wrench
*	17S19	Spanner(17/19mm)
*	54005	Hex. Wrench
*	11790	Oil Syringe

107C

Index No.	Part No.	Description
1	500064	1/4" Nosepiece
2	68015V	Head
3	600016	Nut
4	54009	Jaw Housing
5	500008	Jaws(3pcs/set)
6	500007A	Pusher Tube
7	500005	Spring
8	68006	Jaw Housing Couple
9	6801732	Nut
10	02171	Oil Plug
11	02197	O-Ring Seal (5)
12	400017A	Fill washer
13	68002V	Hydraulic Section
17	11554	Washer (3)
18	11502	X-Ring Seal (3)
19	6801422	Washer
20	FU011650	USI Ø14 x Ø22 x 5
21	68051V	Hydraulic Plunger
22	11501	O-Ring Seal (2)
23	11549	Washer
24	5002580	Hyd. Return Spring
25	500070	Screw Plug
26	55019	O-Ring Seal
27	R16X17	O-Ring
28	63003V	Hydraulic Handle
29	25018B	Roll Pin
30	63010	Trigger
31	630W3	Washer
32	630M3	Screw
34	63009	Trigger Bush

Index No.	Part No.	Description
35	63016V	Trigger Stem
36	R2X15	O-Ring Seal
37	R1-9X19	O-Ring Seal
38	630356	O-Ring Seal
41	63031	O-Ring Seal
42	25020	Screw (3)
43	68005	Air Cylinder Body
45	63038	Throttle valve
46	10512	O-Ring Seal
47	35016	O-Ring Seal
48	63037	Upper Bush
49	10445	O-Ring Seal
50	63036	Law Bush
51	25022	O-Ring Seal
52	64039	Valve Tube
53	630RW8X2	Rubber Washer
54	R18X2	O-Ring Seal (2)
55	63066	Valve pipe
56	68032	Pipe Washer
57	R266X24	O-Ring Seal
58	68057	Screw Plug
59	68022	Plunger Rod
60	R5X15	O-Ring Seal
61	63030	Cushion
62	63079	Bush
63	35039	O-Ring Seal
65	68020	Piston
66	48047	Washer (3)
67	48048	Nut
68	R88X53	O-Ring Seal

Index No.	Part No.	Description
69	680100	Cylinder Cup
70	400031	Pin
71	68094	Tube (2)
72	R9-3X23	O-Ring Seal (4)
73	68004V	Cylinder Cap
74	63048	Name Plate
75	63060	Rubber Plug
76	680150	Bolt (2)
77	68095	Bush (2)
80	680106	Rubber cushion
82	630W11X4	Washer
83	630BS3X6	Screw
84	P36X2	O-Ring Seal
85	500610C	Mandrel Bottle Ass'y
86	R6-4X15	O-Ring Seal (2)
87	63052	Valve Bush
88	R4X1.5	O-Ring Seal
89	63053	Valve Stem
90	63089	Lever
91	64078	Rubber Washer
93	31413	O-Ring Seal (2)

If Setting 1/8", 5/32" rivets, you must remove Pusher Tube #6(500007A) & Jaws #5(500008), Then replace with small pusher Tube #94(500080) & Jaws #5(10508)