

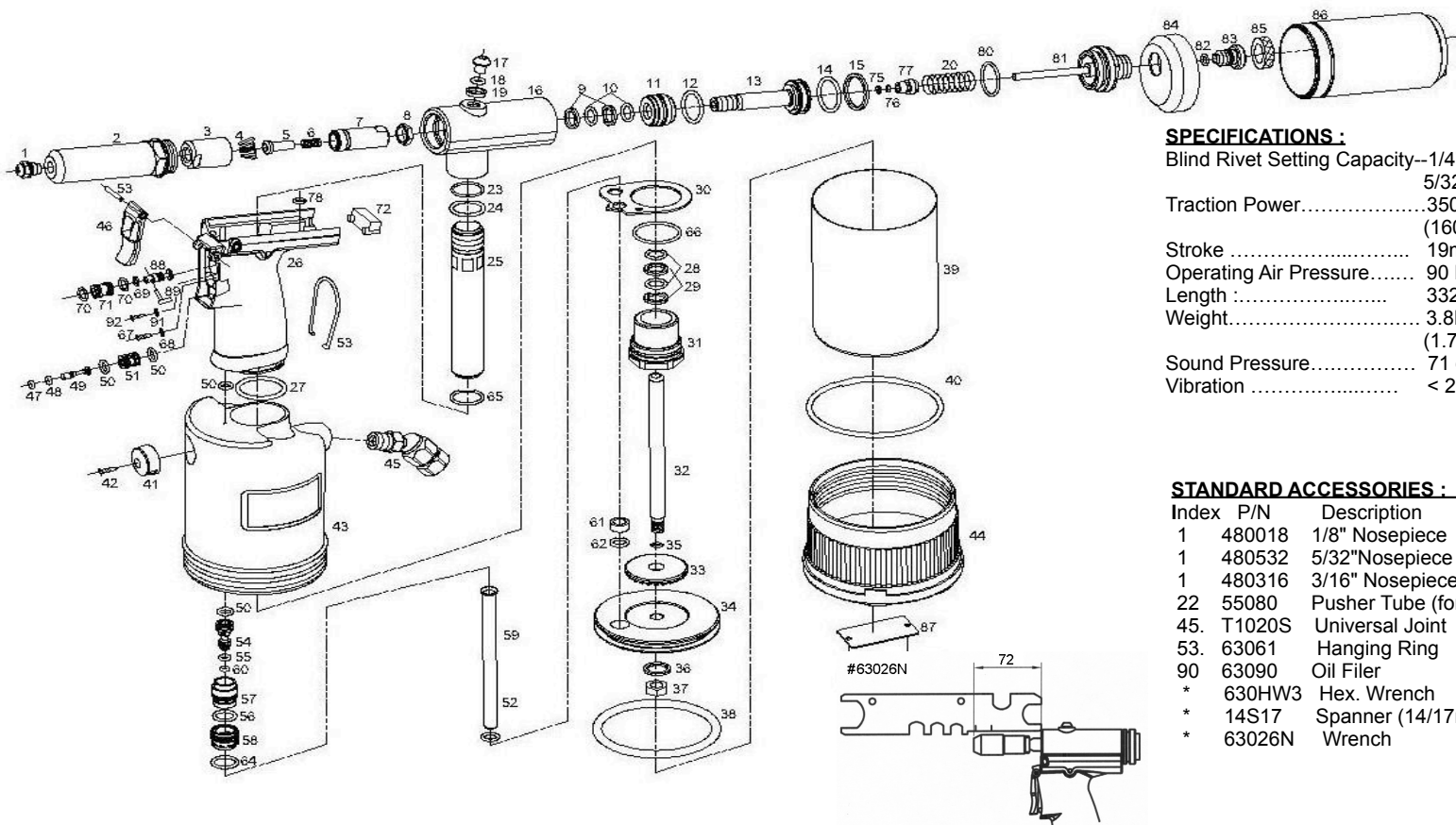
SL-2

1/4" "SUPER LIGHT" HYDRAULIC RIVETER

* with MANDREL COLLECT SYSTEM



THE FUSION FOR PRODUCTION
AND TECHNOLOGY™

**SPECIFICATIONS :**

Blind Rivet Setting Capacity--1/4", 3/16",
5/32", 1/8"
Traction Power.....3500Lbs
(1600kgs)
Stroke 19mm (3/4")
Operating Air Pressure..... 90 PSI
Length :..... 332mm
Weight..... 3.8LBS
(1.7kgs)
Sound Pressure..... 71 dB(A)
Vibration < 2.5 M/S²

STANDARD ACCESSORIES :

Index	P/N	Description
1	480018	1/8" Nosepiece
1	480532	5/32" Nosepiece
1	480316	3/16" Nosepiece
22	55080	Pusher Tube (for 1/8", 5/32")
45.	T1020S	Universal Joint
53.	63061	Hanging Ring
90	63090	Oil Filer
*	630HW3	Hex. Wrench
*	14S17	Spanner (14/17mm)
*	63026N	Wrench

11/2007B

Index No.	Part No.	Description	Qty	Index No.	Part No.	Description	Qty	Index No.	Part No.	Description	Qty
1	500064	1/4" Nosepiece	1	33	63030	Cushion	1	65	R18X2	O-Ring Seal	1
2	54015	Head	1	34	63020	Piston	1	66	R266X24	O-Ring Seal	1
3	54009	Jaw Housing	1	35	R5X15	O-Ring Seal	1	67	630M3	Screw	1
4	10508	Jaws (3pcs/set)	3	36	48047	Washer	1	68	630W3	Washer	1
5	500007A	Jaw Pusher	1	37	48048	Nut	1	69	10748	O-Ring	1
6	500005	Spring	1	38	R70X57	O-Ring Seal	1	70	R6-4X15	O-Ring	2
7	64006	Jaw Housing Coupler	1	39	64008	Cylinder Cup	1	71	63052	Valve Bush	1
8	63014	Nut	1	40	R78X2.8	O-Ring Seal	1	72	63060	Rubber Plug	1
9	11520	X-Ring Washer	2	41	63031	Exhaust Cap	1	75	11560	O-Ring	1
10	11558	X-Ring Seal	2	42	25020	Screw	1	76	R5X125	O-Ring	1
11	63021	Hydraulic Plug	1	43	63029	Cylinder Body	1	77	64025	Bush Screw	1
12	630R19X2	O-Ring	1	44	64035	Cylinder Cap	1	78	64078	Rubber Washer	1
13	64051V	Hydraulic Plunger	1	46	63010V	Trigger	1	80	02116	O-Ring	1
14	P2224	O-Ring Seal	1	47	R1-9X19	O-Ring Seal	1	81	640100	Screw Plug w/Tube	1
15	48022	O-Ring Washer	1	48	R2X15	O-Ring Seal	1	82	R9X15	O-Ring	1
16	63002V	Hydraulic Section	1	49	63016V	Trigger Stem	1	83	64048	Regulator	1
17	630M5	Oil Plug	1	50	02197	O-Ring Seal	4	84	64011	Cap	1
18	R4X2	O-Ring Seal	1	51	63009	Trigger Bush	1	85	64085	Nut	1
19	630W5	Fill Washer	1	52	630RW8X2	O-Ring Seal	1	86	640860	Mandrel Bottle Ass'y	1
20	10453B	Hyd. Return Spring	1	54	63038	Throttle Valve	1	87	63048	Name Plate	1
23	R16X17	O-Ring	1	55	10512	O-Ring	1	88	63053	Valve Stem	1
24	R18X2	O-Ring	1	56	10445	O-Ring Seal	1	89	63089	Lever	1
25	63066	Valve Pipe	1	57	63037	Upper Bush	1	91	630W11X4	Washer	1
26	63003V	Hydraulic Handle	1	58	63036	Lower Bush	1	92	630BS3X6	Screw	3
27	630356	O-Ring Seal	1	59	64039	Valve Tube	1	To pull smallest rivets 1/8"(3.2mm), 5/32" (4.0mm) ,you must change #5 (#500007A) and replace with #22(#55080).This will allow mandrels to properly pass through tool and avoid jamming of larger rivet mandrels.			
28	10554	X-Ring Seal	2	60	35016	O-Ring	1				
29	10558	O-Ring Washer	2	61	63079	Bush	1				
30	63032	Pipe Washer	1	62	35039	O-Ring	1				
31	64057	Screw Plug	1	63	25018B	Roll Pin	1				
32	64022	Plunger Rod	1	64	25022	O-Ring Seal	1				